



YUNNAN CY GROUP CO., LTD

(YUNNAN MACHINE TOOL WORKS)

YUNNAN MACHINE TOOL GROUP IMP. & EXP. CO., LTD



ISO 9001 国际质量体系认证
ISO 14001 环保认证

CY SERIES UNIVERSAL LATHE 普通万能车床

Features 机床特点

- The headstock, gear-box, apron and bed-ways are made of high quality casting iron, and are all casting with the resin sand foundry technology and aging process. The bed ways are induction-hardened, with hardness around HRC 55.

铸造件均为树脂砂制造，时效定型，导轨经淬火处理，硬度达到HRC 55。

- The spindle supported by 3-pointed high-precision bearings and all gears in headstock are precisely grinded, the spindle turns smoothly at high speed. High rigidity spindle system, with absolute temperature rising no higher than 35°C.

主轴采用三点支承高精密设计。床头箱内各对齿轮及花键轴均经过精磨研配，确保了主轴平稳高速运转。高刚性主轴结构，绝对温升不超过35°C。

- Rapid feed system to improve efficiency. Wide range of feed and pitch are available without changing gears, distance between centers 1000 – 5000mm, this lathe covers wide range of working pieces.

快速进给系统能有效提高工作效率。车螺纹和走刀中不必配换齿轮。

24档变频：9-1600rpm(6266B)/6-1120rpm (L系列)，可加工工件长度从1000mm到5000mm，使得适用范围极为广泛，足以满足绝大部分客户的需求。

- When rapid feeding is on, the tool slide longitudinal travel handwheel will be automatically disfunctioned.

快速进给时纵向移动大手轮脱开。

- Reliable safety devices such as footbrake and emergency power-off switch are assembled. Adjustable overload protection device is also installed in the feed system.

可靠的安全装置。配有脚踏刹车装置和紧急制动按钮。同时进给系统装有可调式过载保护装置。

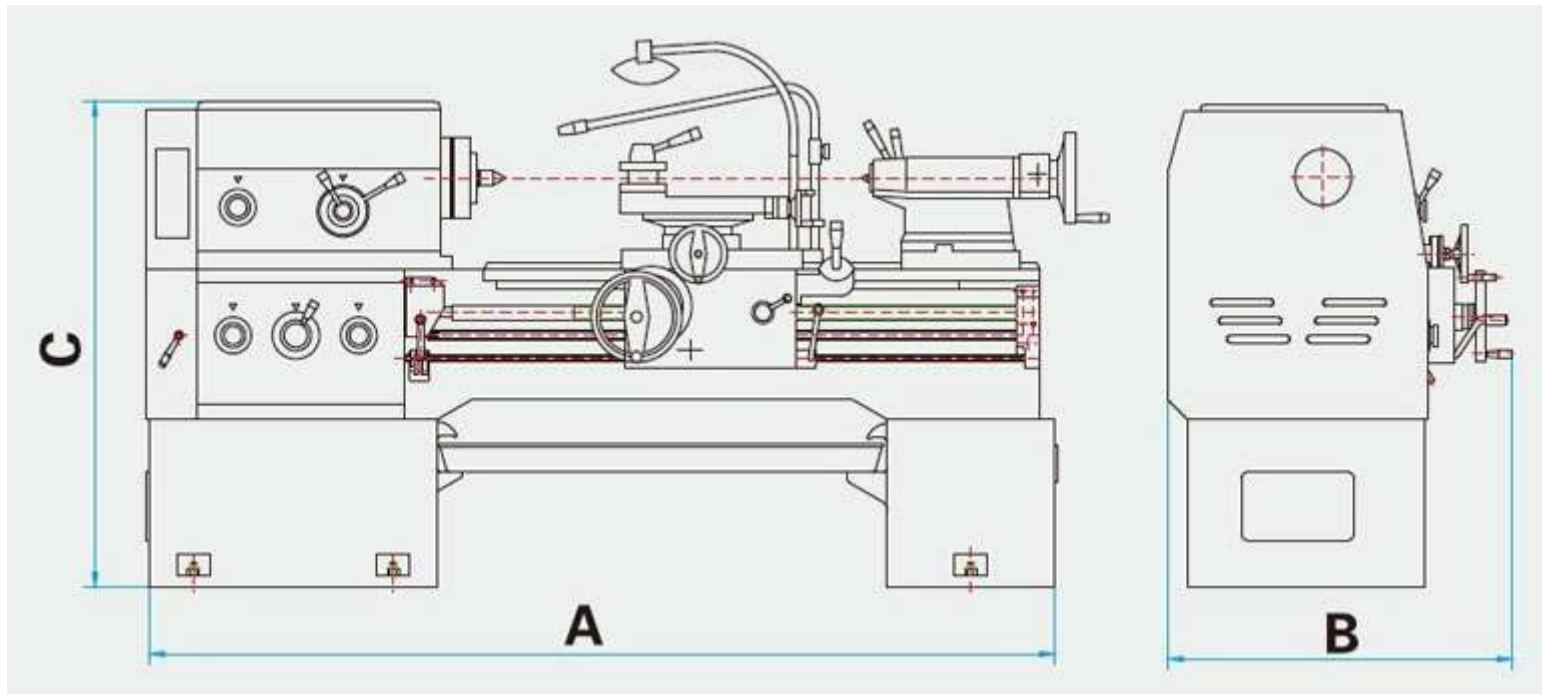
- The tool post adopts the structure of ratchet pawl, and can be relocked by turning the lever for just half a lap.

刀架采用内棘爪结构，刀架回位半转锁紧。

- Tailstock are equipped with doublelocked mechanism, smooth and effortless movement is ensured by the elastic scroll devices underneath.

尾座配有双重锁紧装置，底部的卸荷装置保证了流畅平稳的运行。





A x B x C (mm)			
	CY6250B CY6150L CY6250L	CY6166B CY6266B CY6166L CY6266L	CY6176L CY6276L
1000mm	2500 x 1150 x 1300	2500 x 1250 x 1400	2500 x 1250 x 1500
1500mm	3000 x 1150 x 1300	3000 x 1250 x 1400	3000 x 1250 x 1500
2000mm	3500 x 1150 x 1300	3500 x 1250 x 1400	3500 x 1250 x 1500
3000mm	4500 x 1150 x 1300	4500 x 1250 x 1400	4500 x 1250 x 1500
4000mm	5500 x 1150 x 1300	5500 x 1250 x 1400	5500 x 1250 x 1500
5000mm	6500 x 1150 x 1300	6500 x 1250 x 1400	6500 x 1250 x 1500

Gross / Net weight (kg) 毛重 / 净重 (千克)			
	CY6250B CY6150L CY6250L	CY6166B CY6266B CY6166L CY6266L	CY6176L CY6276L
1000mm	2540 / 2100	2800 / 2200	2900 / 2300
1500mm	2860 / 2400	3000 / 2500	3100 / 2600
2000mm	3200 / 2800	3400 / 2900	3500 / 3000
3000mm	4000 / 3300	4200 / 3400	4300 / 3500
4000mm	4700 / 3800	5000 / 4100	5100 / 4200
5000mm	5300 / 4600	5400 / 4700	5500 / 4800

Package dimensions (mm) 包装尺寸 (毫米)			
	CY6250B CY6150L CY6250L	CY6166B CY6266B CY6166L CY6266L	CY6176L CY6276L
1000mm	2700 x 1150 x 1700	2700 x 1150 x 1820	2700 x 1150 x 1900
1500mm	3250 x 1150 x 1700	3250 x 1150 x 1820	3250 x 1150 x 1900
2000mm	3750 x 1150 x 1700	3750 x 1150 x 1820	3750 x 1150 x 1900
3000mm	4770 x 1150 x 1700	4770 x 1150 x 1820	4770 x 1150 x 1900
4000mm	5770 x 1150 x 1700	5770 x 1150 x 1820	5770 x 1150 x 1900
5000mm	6770 x 1150 x 1700	6770 x 1150 x 1820	6770 x 1150 x 1900

MAIN SPECIFICATIONS 主要技术参数

Specification 参数 / Model 型号	CY6250B	CY6166B	CY6266B	CY6150L	CY6250L	CY6166L	CY6266L	CY6176L	CY6276L
Distance between centers 顶尖距	1000 . 1500 . 2000 . 3000 . 4000 . 5000mm (4000mm & 5000mm only for CY61 series)								
Width of bed 床身宽度	390mm								
Swing over bed 床身最大回转直径	500mm	660mm		500mm		660mm		760mm	
Swing over cross slide 下刀架最大回转直径	300mm	430mm		300mm		430mm		530mm	
Swing in gap 马鞍内最大回转直径	710mm		870mm		710mm		870mm		970mm
Width of gap 马鞍宽度	240mm		240mm		240mm		240mm		240mm
Spindle nose 主轴头型号	D8								
Spindle bore diameter 主轴通孔直径	Φ82mm			Φ105mm					
Spindle taper 主轴孔锥度	MT6			1 : 20					
Spindle speed 主轴转速	9 - 1600rpm (24 steps)			6 - 1120rpm (24 steps)					
Max output torque of spindle 主轴输出最大扭矩	1500N.m								
Range of longitudinal feed 纵向进给量范围	0.028 - 6.43mm/rev			0.063 - 6.43 mm/rev (0.0025 - 0.25in/rev)					
Range of cross feed 横向进给量范围	0.12 - 2.73 mm/rev			0.027 - 2.73 mm/rev (0.00106 - 0.107in/rev)					
Lead screw pitch 大丝杠螺距	12mm (metric system) / 2TPI (inch system)								
Metric threads 公制螺纹	0.5 - 224mm (48 pitches)			1 - 224mm (46 pitches)					
Inch system threads 英制螺纹	72 - 1/8TPI (46 pitches)			28 - 1/8TPI (42 pitches)					
Module threads 模数螺纹	0.5 - 112mm (42 pitches)								
Diameter pitch threads 径节螺纹	56 - 1/4DP (45 pitches)								
Cross slide travel 下刀架最大行程	340mm	360mm		340mm		360mm		360mm	
Top slide travel 上刀架最大行程	150mm	200mm		150mm		200mm		200mm	
Longitudinal rapid traveling speed 纵向快速移动速度	4.5m/min (50HZ) / 5.4m/min (60HZ)								
Transversal rapid traveling speed 横向快速移动速度	1.9m/min (50HZ) / 2.3m/min (60HZ)								
Tailstock quill taper 尾座孔锥度	MT5								
Tailstock quill max travel 尾座套筒行程	150mm								
Tailstock quill diameter 尾座套筒直径	75mm								
Rapid feed motor 快速移动电机	250W 1360rpm								
Coolant pump motor 冷却泵电机	90W 25L/min								
Main motor 主电动机	7.5kW			11kW					



3-rod guard 三杆防护



EUROPEAN TYPE QCTP
欧式快换刀架



ITALIAN TYPE QCTP
意式快换刀架



AMERICAN TYPE QCTP
美式快换刀架

Standard accessories 标准附件

- 1、3-jaw chuck 三爪卡盘
- 2、Thread chasing dial 螺牙表
- 3、Chip guard 挡屑板
- 4、Foot brake 脚踏刹车

Optional accessories 选配附件

- 1、4-jaw chuck 四爪卡盘
- 2、Face plate 花盘
- 3、Drive plate 拨盘
- 4、Halogen work lamp 卤素灯
- 5、Small steady rest 小中心架
- 6、Large steady rest 大中心架
- 7、Follow rest 跟刀架
- 8、Center sleeve 变径套
- 9、Center 固定顶尖
- 10、Live center 活动顶尖
- 11、Micro stop for saddle 微调限位器
- 12、4-position stop for saddle 四工位纵向限位器
- 13、4-position stop for cross slide 四工位横向限位器
- 14、Taper turning attachment(TTA) 锥度尺
- 15、Digital readout(DRO) 数显装置
- 16、Quick change tool post 快换刀架
- 17、Damping washer 减震垫铁
- 18、Chuck cover 卡盘护罩
- 19、Tool post guard 刀架防护
- 20、3-rod guard 三杆防护
- 21、CE electric CE电气



Taper turning attachment(TTA)
锥度尺



Tool post guard
刀架防护



Chuck cover
卡盘护罩



Digital readout(DRO)
数显装置